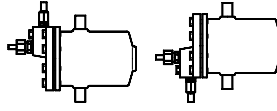




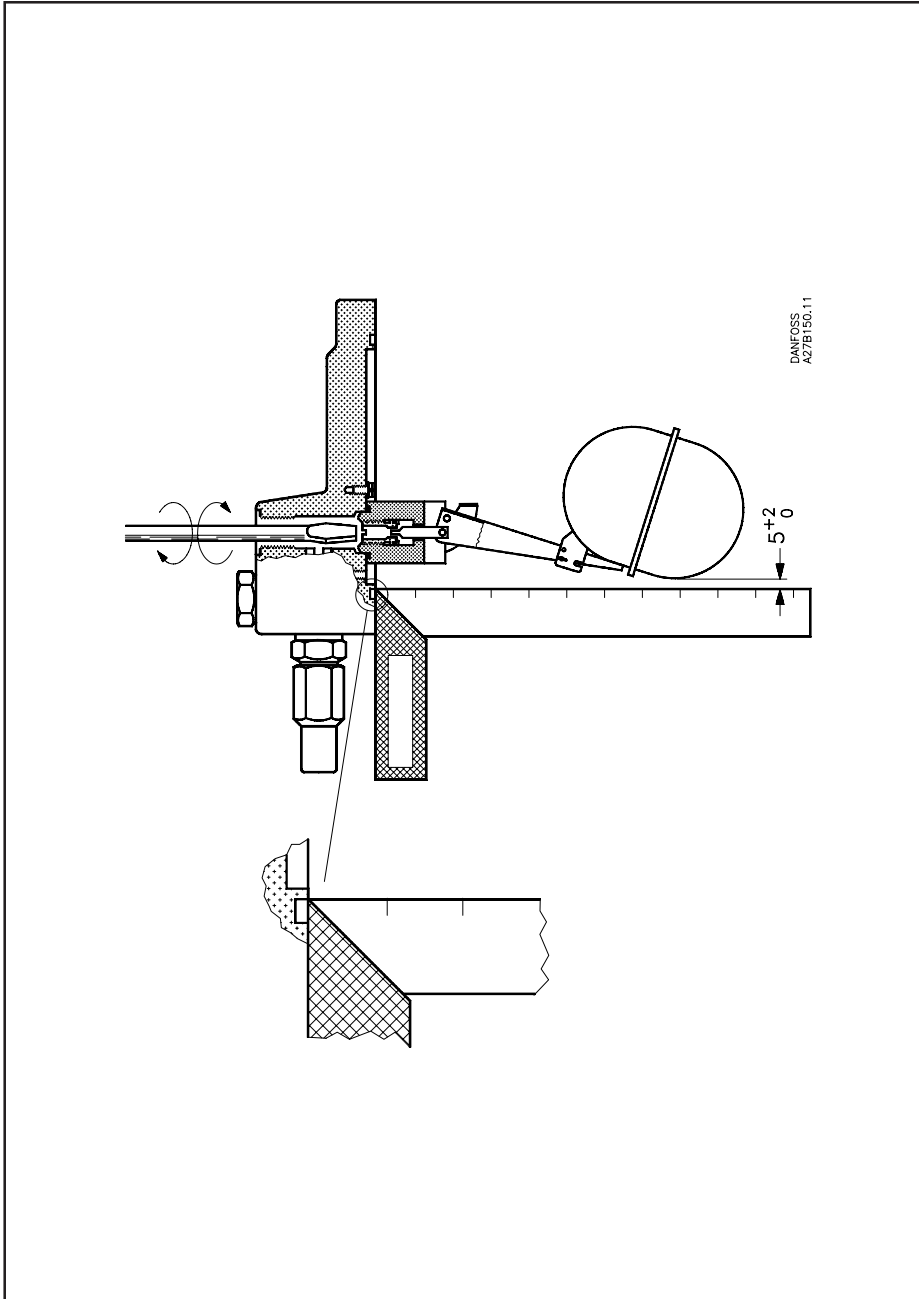
INSTRUCTIONS

SV
Complete float insert



027R9634

027R9634



© Danfoss A/S (AC-RCMP.jp)

Rt.02.M1.00 → RI.2B.D1.00 03-1999